

**Reepack s.r.l.**

Via dell'Artigianato, 19  
24068 Seriate (BG) - Italy  
Tel.: +39 035 2924911  
Fax: +39 035 2922891  
reepack-it@reepack.com

**Reepack Verpackungsmaschinen GmbH**

An der Tumppe 5  
58791 Werdohl-Dresel - Germany  
Tel.: +49 (0)2392 8079480  
Fax: +49 (0)2392 80794899  
reepack-de@reepack.com

**Reepack Packaging Machinery S.L.**

Pasaje Salvador Riera, 13 local  
08027 Barcelona - Spain  
Tel.: +34 90 210 38 26  
Fax: +34 93 787 51 18  
reepack-es@reepack.com

# FLOW-WRAP MACHINES

Reepack is a dynamic company specialized in manufacturing packaging machinery for food stuff. A complete and flexible machine's range has been developed and improved by his staff in these last years.

Our operating field is packaging machinery with vacuum technology and modified atmosphere processing (MAP).  
We are committed to follow customer requirements as our first objective.

Quality control throughout the production process ensures to meet specifications agreed with our customers.

[www.reepack.com](http://www.reepack.com)

Distributed by:

**Reepack**

Packaging Machinery Supplies

# FLOW-WRAP MACHINES

The high-speed horizontal form-fill seal Reepack machines are made in stainless steel and are suitable to work in the most aggressive environments. Working with cantilever system they are of easy cleaning and sanitizing.

Machines are equipped with full servo wrapper axis motion and brushless motors for: infeed, pulling and sealing rollers, sealing jaws. They have an ergonomic design, HMI and push-button are installed to make easier use and consulting. Colour touch screen to adjust all machine parameters and save them with a dedicated recipe, 50 programs available on PC controller, 4 level password keys are also included. The presence of electrical rotary power transferred by slipping system avoids the use of products like brush or mercury.



## REEFLOW R50

## REEFLOW R400

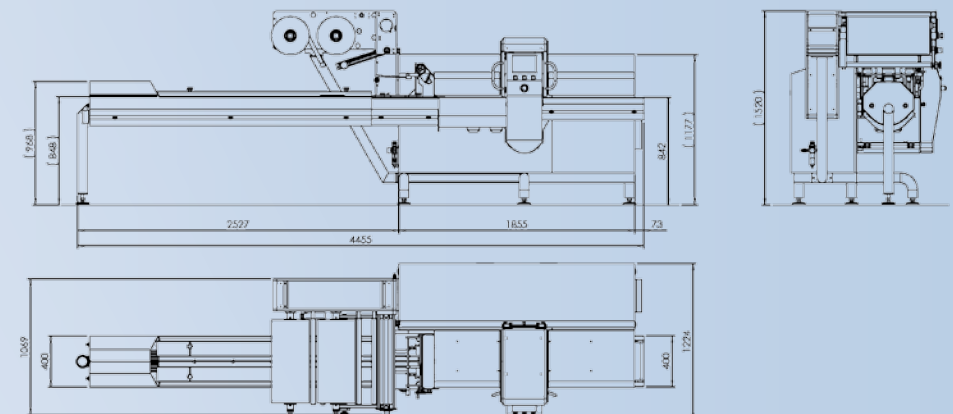


### TECHNICAL DATA

Electrical details	input voltage	200 V - 480 V	
	power	1900 W	2600 W
Pneumatic details	bar	6	6
	consumption	1l/min.	1l/min.
Machine speed up to	single jaw	100 ppm	135 ppm
	unwinding film	30m / min.	50m / min.
Cut off length	50 - 630 mm		
Product size	width up to	200 mm	300 mm
	height up to	80 mm	120 mm
Wrapping material	SUITABLE HEAT-SEALABLE FILMS; POLYPROPYLENE; CO-EXTRUDED (PP); LAMINATE FILMS (OPP+PE); POLYTHENE FILMS (PE; HDPE;LPDE).		
Reel dimensions	core	76 mm	
	outer	300 mm	
	width	650 mm	650 - 900* mm
Electronic platform	INDUSTRIAL PC		
Human interface	color touch screen	5"	7" WIDE SCREEN
Motor	brushless	3 AXIS	4 AXIS
Net weight		750 kg	900 kg
Accessory:	AUTOMATIC FEEDING SYSTEM; PERFORATING ROLLER; PEC PRINT REGISTRATION FILM; ADJUSTABLE FOLDING BOX; PEC MISPLACE; GUSSETING; MULTIJAWS; HOLE-PUNCH HEATED; QUALITY CONTROL; CASTORS; PRINTER		

In keeping with improvements, designs and specification subject to change without notice.

### Typical Lay-out R50



### Typical Lay-out R400

